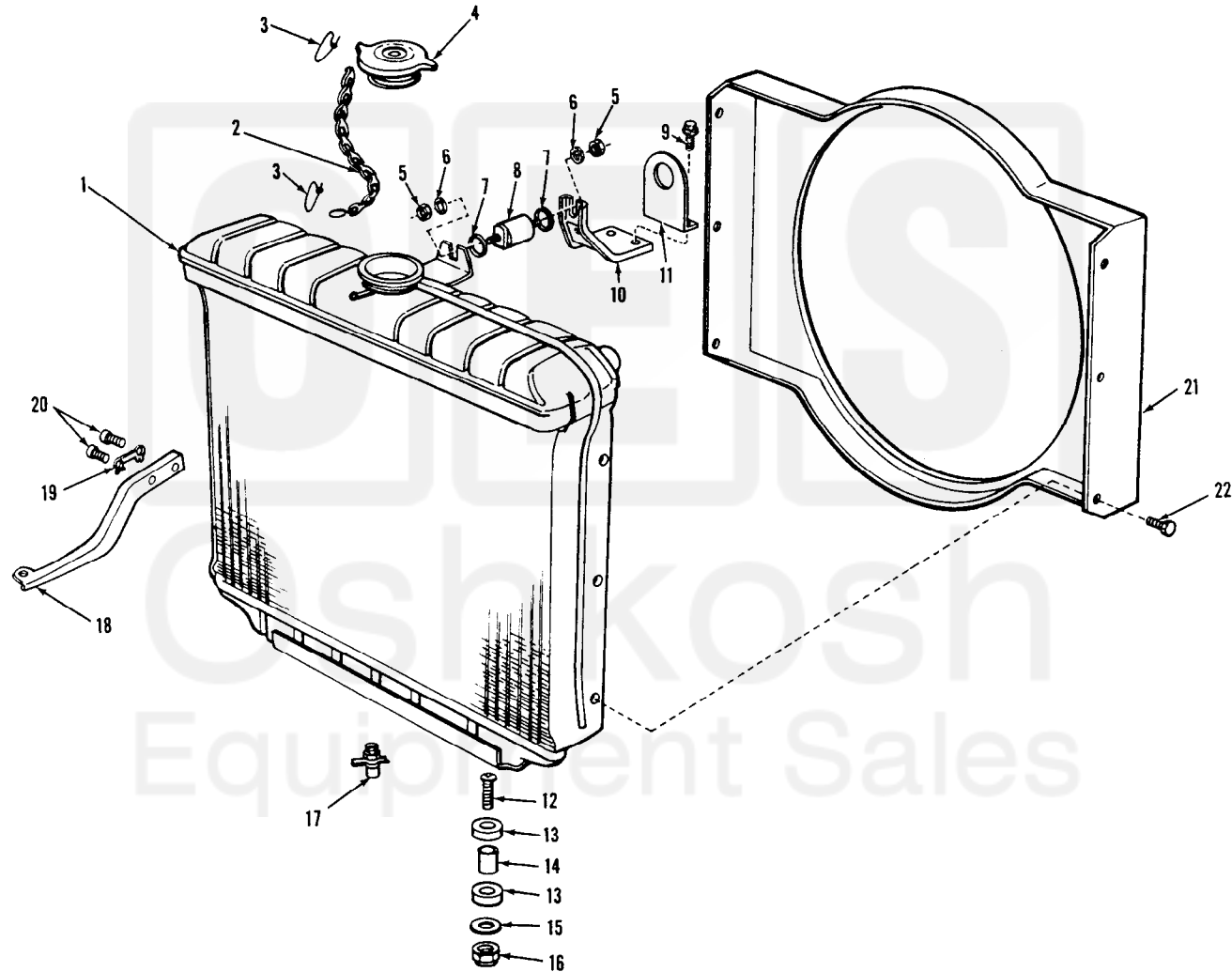


58

(1) SMR CODE	(2) FEDERAL STOCK NUMBER	(3) DESCRIPTION REFERENCE NUMBER & MFG. CODE USABLE ON CODE		(4) UNIT OF MEAS.	(5) QTY INC IN UNIT	(6) 15-DAY ORGANIZATIONAL MAINTENANCE ALW				(7) ILLUSTRATION	
						(a) 1-5	(b) 6-20	(c) 21-50	(d) 51-100	(a) FIGURE NO.	(b) ITEM NO.
GROUP 0501											
RADIATOR, SHROUD AND RELATED PARTS											
fig. 5-1											
POR	2930-064-5979	RADIATOR, ENGINE, COOLANT: 10921887 (19207)		EA	1	*	*	*	*	5-1	1
PO	4010-273-2983	CHAIN: radiator filler cap (6 in. lg) 42-C-16505 (21450)		EA	1	*	*	*	*	5-1	2
PO	5315-514-2660	CLIP: radiator filler cap MS29523-1 (96906)		EA	2	*	*	*	*	5-1	3
PO	2930-720-2677	CAP, FILLER: pressure type, radiator (with chain and clips) MS35840-1 (96906)		EA	1	*	*	*	*	5-1	4
PO	5310-880-7746	NUT, PLAIN, HEXAGON: carb-s, CD-PLTD, 5/16-24 UNF-2B upper radiator mounting MS51968-5 (96906)		EA	2	*	*	*	*	5-1	5
PO	5310-407-9566	WASHER, LOCK: split, carb-s, CD-PLTD, for 5/16 screw size, upper radiator mounting MS35338-45 (96906)		EA	2	*	*	*	*	5-1	6
PO	5310-595-6326	WASHER, FLAT: round, S, CD-PLTD, for 5/16 screw size, upper radiator mounting MS27183-13 (96906)		EA	2	*	*	*	*	5-1	7
PO	2510-832-5655	INSULATOR ASSEMBLY: radiator upper mount 11630418 (19207)		EA	1	*	*	*	*	5-1	8
PO	5306-019-1677	SCREW AND WASHER ASSEMBLY: radiator support and lifting brackets, 191677 (21450)		EA	2	*	*	*	*	5-1	9
X20		BRACKET: radiator support, 11660495 (19207)		EA	1	*	*	*	*	5-1	10
X20		BRACKET: engine lifting eye, front, 11660498 (19207)		EA	1	*	*	*	*	5-1	11
PO	5306-012-0231	BOLT, CARRIAGE: square neck, rd-hd, s, cd or zn-pltd, 5/16-18UNC-2A x 1 3/4 in. lg, lower radiator mounting, MS35751-44 (96906)		EA	2	*	*	*	*	5-1	12
PO	5340-812-2035	INSULATOR: radiator lower mount, 7331408 (19207)		EA	4	*	*	*	*	5-1	13
PO	2930-678-1397	SPACER: radiator lower mount, 8754579 (19207)		EA	4	*	*	*	*	5-1	14
PO	5310-682-5514	WASHER, FLAT: round, s, cd-pltd, for o/4 screw size, lower radiator mount, 7331409 (19207)		EA	2	*	*	*	*	5-1	15
PO	5310-984-3806	NUT, SELF-LOCKING, HEXAGON: s, cd or zn-pltd, 5/16-18UNC-3B, lower radiator mount, MS51922-9 (96906)		EA	2	*	*	*	*	5-1	16
PO	4820-174-0340	COCK DRAIN: radiator, 585891 (21450)		EA	1	*	*	*	*	5-1	17
PO	2930-678-3234	SUPPORT: engine radiator mounting, right (see Fig. 6-for left support) 8754955 (19207)		EA	1	*	*	*	*	5-1	18
PO	5340-819-7036	LOCKING PLATE: nut and bolt, radiator support to engine mounting, 10885522 (19207)		EA	1	*	*	*	*	5-1	19
PO	5305-071-1766	SCREW, CAP, HEXAGON HEAD: carb-s, cd-pltd, 1/2-13UNC-2A X 7/8 in. lg, radiator support mounting, MS90725-108 (19207)		EA	2	*	*	*	*	5-1	20
GROUP—0502 SHROUD											
PO	2930-150-7508	SHROUD: radiator, 7345187 (19207)		EA	1	*	*	*	*	5-1	21
PO	5306-042-5623	SCREW AND WASHER ASSEMBLY: fan shroud mounting 425623		EA	6	*	*	*	*	5-1	22

Current part is item (8) on diagram. Available at www.oshkoshequipment.com



AT 39884

Current part is item (8) on diagram. Available at www.oshkoshequipment.com

Figure 5-1. Radiator, shroud and related parts.